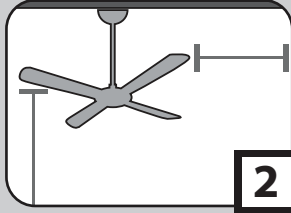


Congratulations on purchasing your new Hunter® ceiling fan! It will provide comfort and performance in your home or office for many years. This installation and operation manual contains complete instructions for installing and operating your fan.

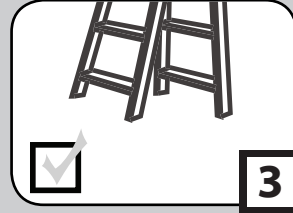
We are proud of our work and appreciate the opportunity to supply you with the best ceiling fan available anywhere in the world.



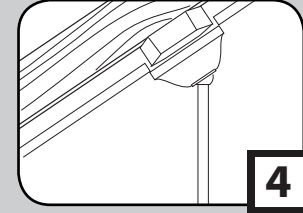
What to Expect with Your Installation



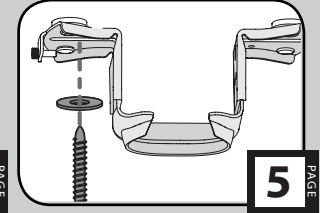
Tools Needed



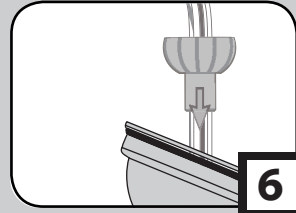
Mounting Options



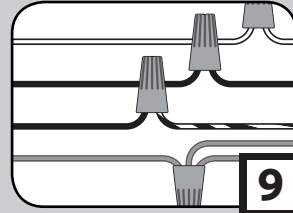
Ceiling Bracket



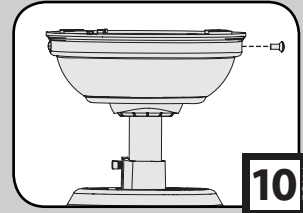
Downrod



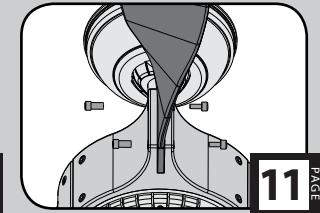
Wiring



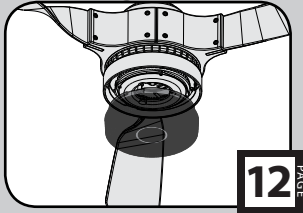
Canopy



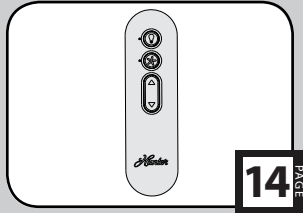
Blades



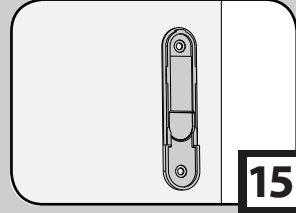
Light Kit



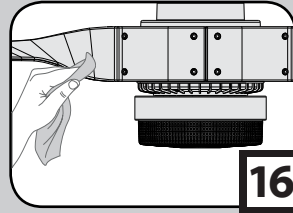
Remote Control



Remote Control Cradle



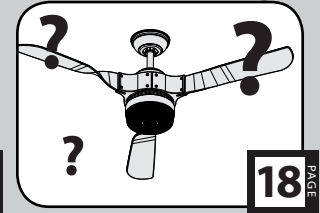
Operation, Maintenance & Cleaning



SIMPLEconnect™



Troubleshooting



Read and Save These Instructions

This product conforms to UL Standard 507.

⚠️ WARNINGS

- w.1 - To reduce the risk of fire, electrical shock, or personal injury, mount fan directly from building structure and/or an outlet box marked acceptable for fan support of 70 lbs (31.8 kg) and use the mounting screws provided with the outlet box.
- w.2 - To avoid possible electrical shock, before installing or servicing your fan, disconnect the power by turning off the circuit breakers to the outlet box and associated wall switch location. If you cannot lock the circuit breakers in the off position, securely fasten a prominent warning device, such as a tag, to the service panel.
- w.3 - To reduce the risk of fire, electrical shock, or motor damage, use only Hunter Solid State Speed Controls.
- w.4 - To reduce the risk of personal injury, do not bend the blade brackets when installing the blade brackets, balancing the blades, or cleaning the fan. Do not insert foreign objects in between rotating fan blades.

⚠️ CAUTIONS

- c.1 - All wiring must be in accordance with national and local electrical codes ANSI/NFPA 70. If you are unfamiliar with wiring, use a qualified electrician.
- c.2 - Use only Hunter replacement parts.

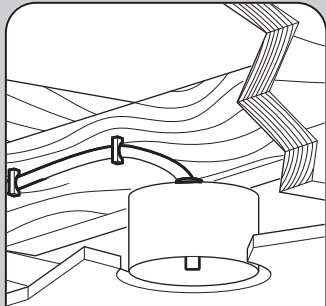
This equipment has been tested and found to comply with the limits for a Class B digital device, pursuant to part 15 of the FCC Rules. These limits are designed to provide reasonable protection against harmful interference in a residential installation. This equipment generates, uses and can radiate radio frequency energy and if not installed and used in accordance with the instructions may cause harmful interference to radio communications.

However, there is no guarantee that interference will not occur in a particular installation. If this equipment does cause harmful interference to radio or television reception, which can be determined by turning the equipment off and on, the user is encouraged to try to correct the interference by one or more of the following measures:

- Reorient or relocate the receiving antenna.
- Increase the separation between the equipment and receiver.
- Connect the equipment into an outlet on a circuit different from that to which the receiver is connected.
- Consult the dealer or an experienced radio/TV technician for help.

Caution: modifications not approved by the party responsible for compliance could void user's authority to operate the equipment.

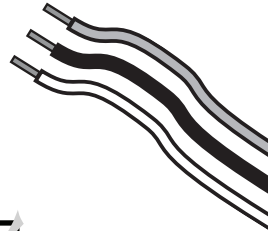
This device complies with Part 15 of the FCC Rules. Operation is subject to the following two conditions: (1) This device may not cause harmful interference, and (2) this device must accept any interference received, including interference that may cause undesired operation.



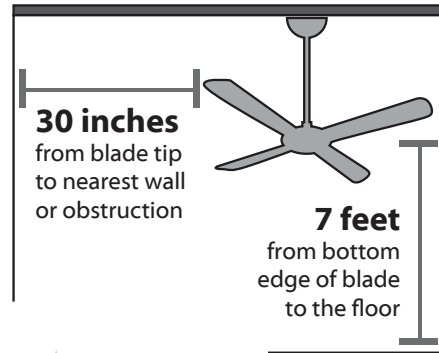
Must be able to secure the fan to building structure or fan-rated outlet box



If you are unfamiliar with wiring, use a qualified electrician.



Know your wiring



Assess location

You may need a friend to help you.



Check box to see fan weight



Ceiling angles greater than 34° will require an Angled Mounting Kit. See page 4 for details.



Assess ceiling angle

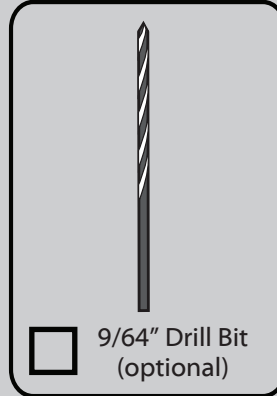
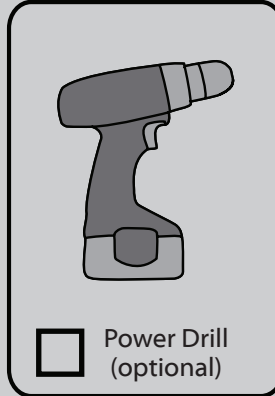
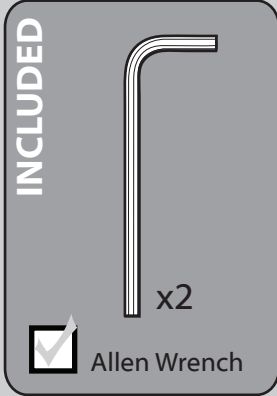
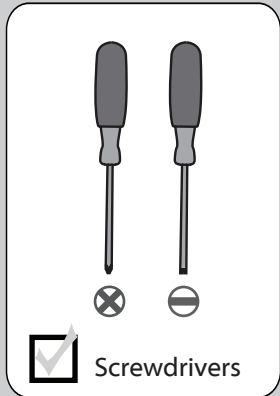
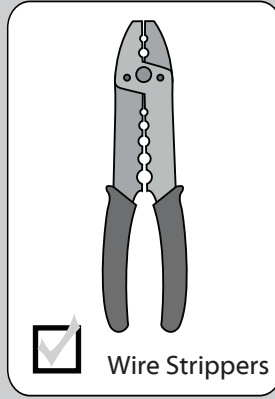
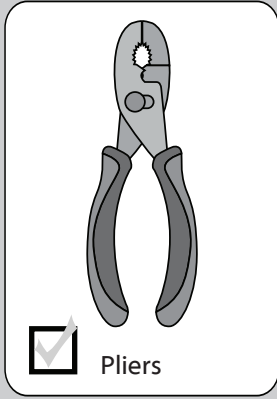
1 Standard Downrod for ceilings 8-10 feet high

2 Shorter Downrod for fans installed close to ceiling

3 Longer Downrod for ceilings 10 feet or higher



Select a downrod length



Do not discard the hardware bags or mix parts from different bags. Make note of the symbol printed on each hardware bag. The symbols can be used to identify the appropriate hardware for each step.

If mounting to a support structure, you will also need these tools.

34°

CEILING ▲

If you have a flat ceiling:

Hang your fan by a standard downrod (included).

Standard
Mounting

OPTION 1

If you have an angled ceiling:

1. You will need a longer downrod (sold separately).
2. If your ceiling angle is greater than 34°, you will also need an Angled Mounting Kit (sold separately).

Angled
Mounting

OPTION 2

Use the three steps below to determine if your ceiling angle is greater than 34°



1

FOLD
on dotted line

2

PLACE
against wall

3

SLIDE
toward ceiling

SITUATION 1

Guide Touches
BOTH Ceiling & Wall

You need **ONLY**
a Longer
Downrod

**most common*



SITUATION 2

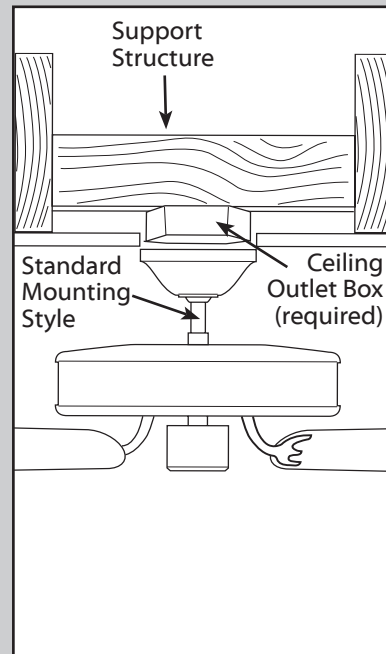
Guide Touches Wall
but **NOT** Ceiling

You need **BOTH**
a Longer
Downrod &
an Angled
Mounting Kit

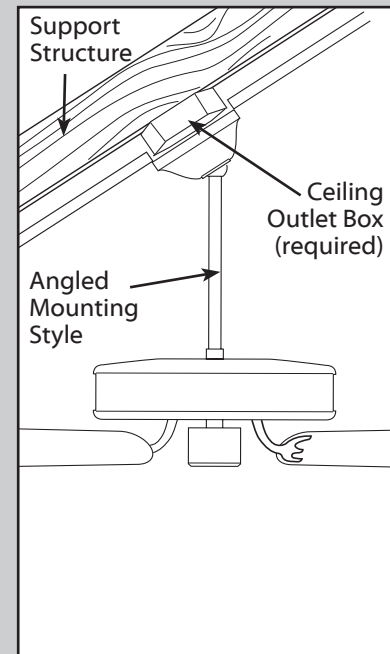
Mounting Options

www.HunterFan.com

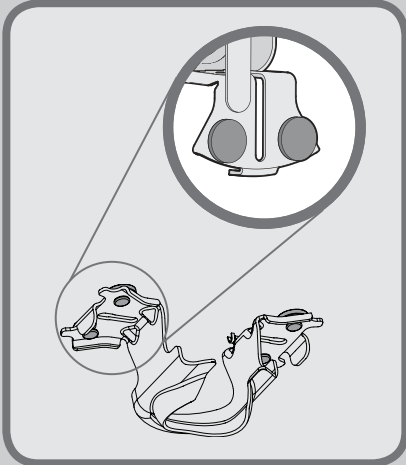
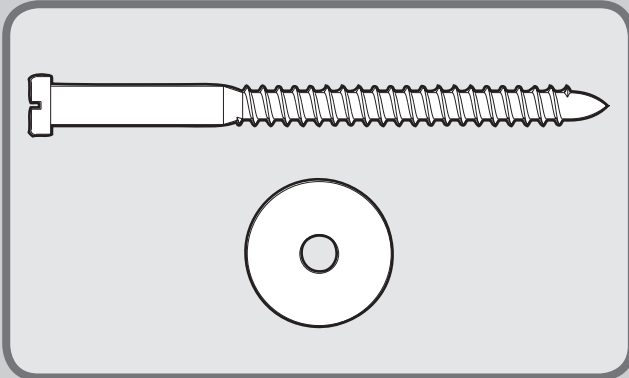
1.888.830.1326



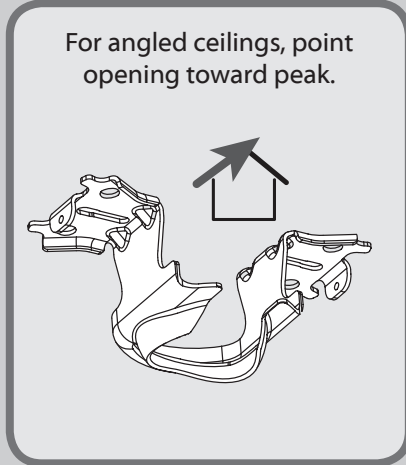
Use **Standard Mounting**
or **Low-Profile Mounting**
to hang the fan from a flat ceiling.



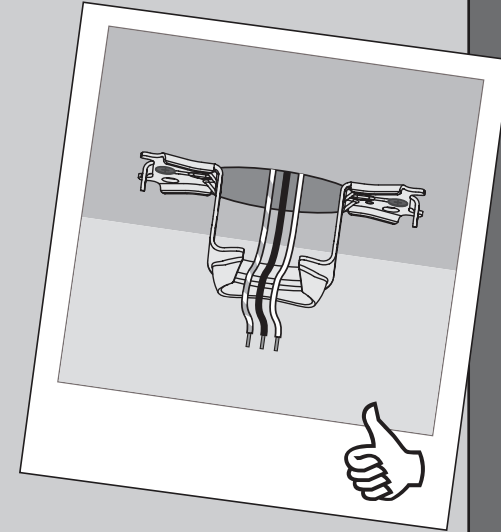
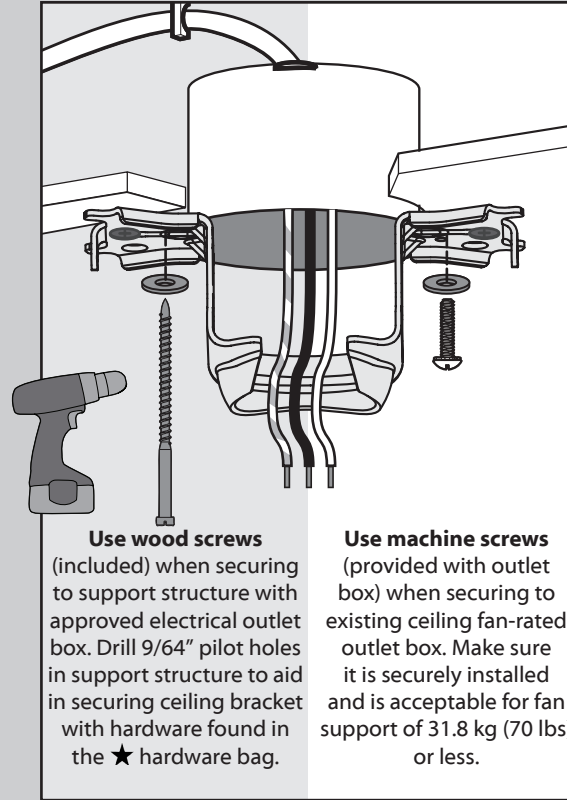
Use **Angled Mounting**
to hang the fan from a
vaulted or angled ceiling.



Make sure all four bumpers are still attached.



If you are unable to do this, call Technical Support at 1-888-830-1326.



Refer to warning w.1 on pg. 2



5

To avoid possible electrical shock, before installing your fan, disconnect the power by turning off the circuit breakers to the outlet box associated with the wall switch location.



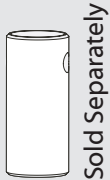
Option 1

Standard Downrod
for ceilings 8-10' high



Option 2

Shorter Downrod
for fans installed close to ceiling



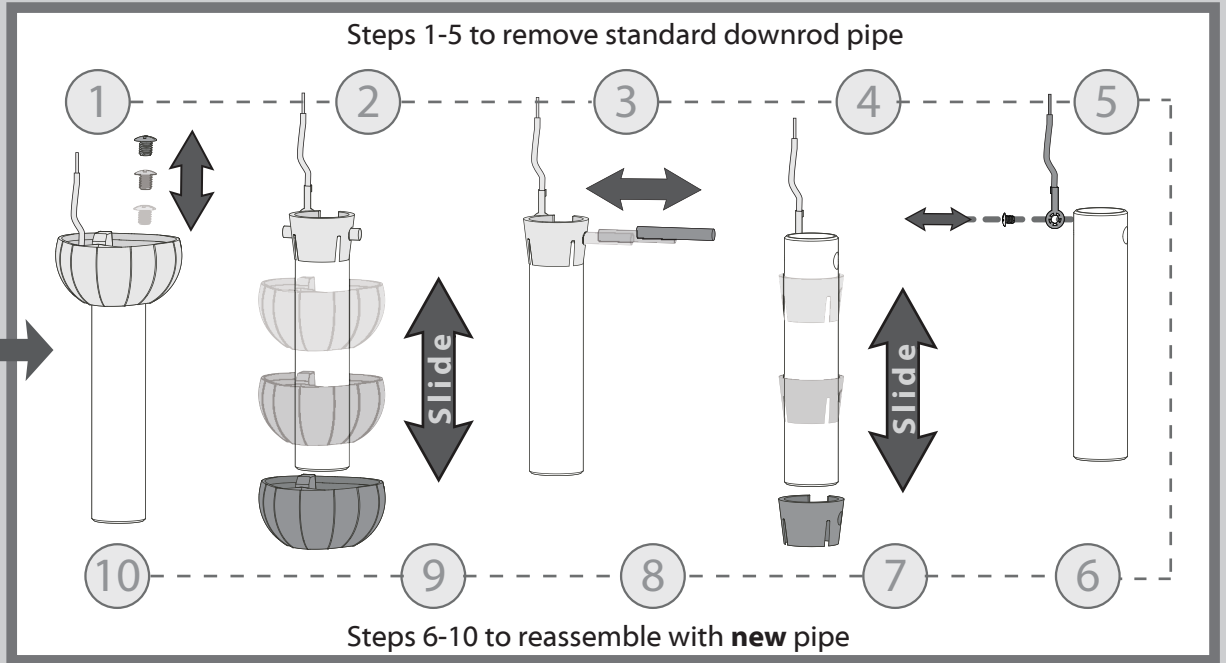
Option 3

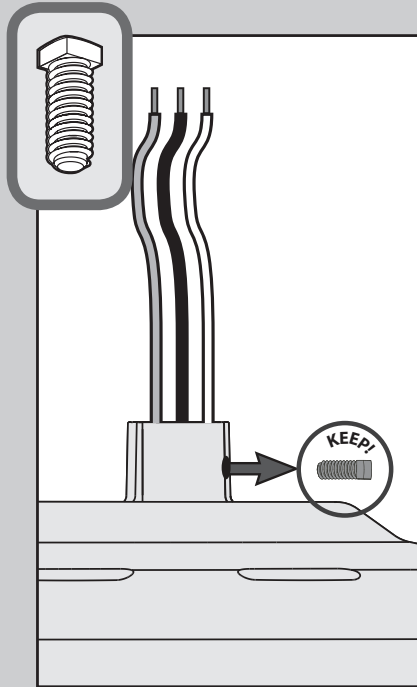
Longer Downrod
for angled ceilings or ceilings 10' or higher



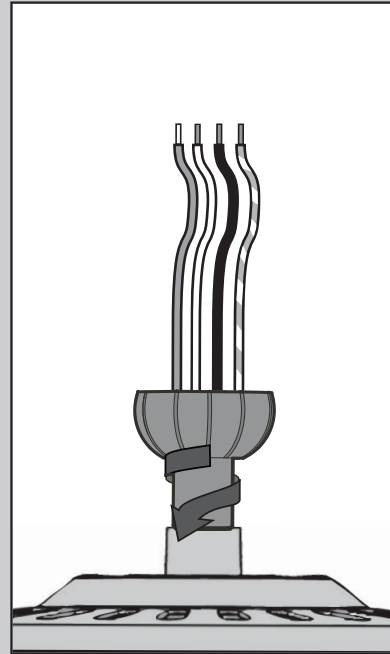
skip to next page

If you need a different downrod length follow these steps:

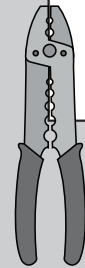
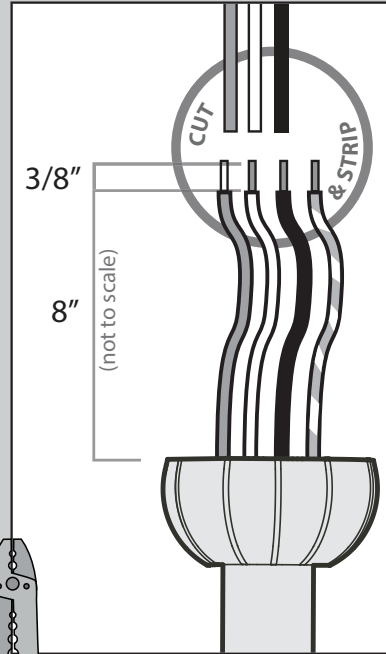




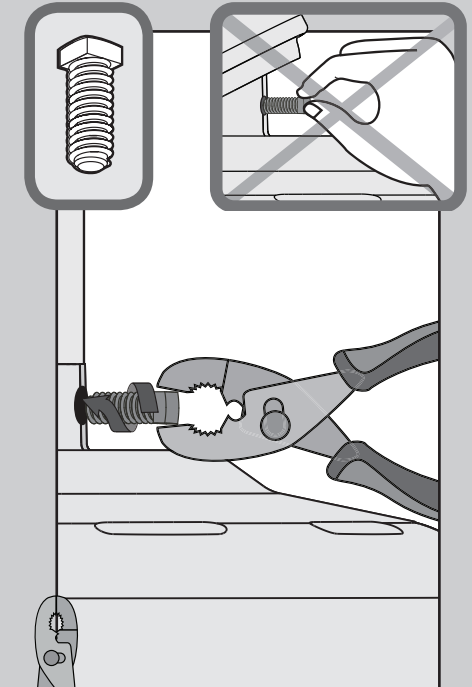
Remove the pre-installed setscrew so that the downrod can be inserted.



Hand tighten the downrod (at least 4-5 full turns) until it stops.



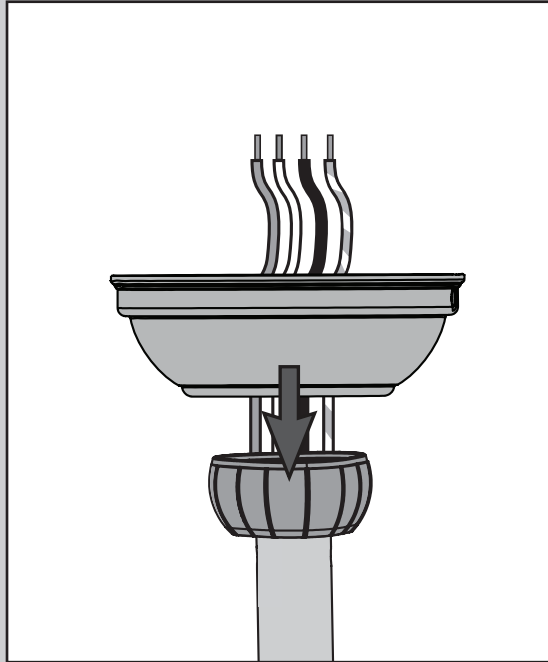
The wires can be cut, but leave at least 8" extending from the top of the downrod.



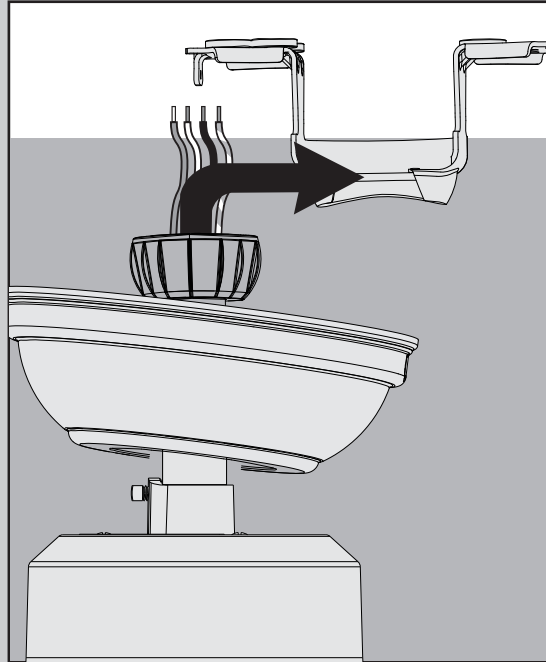
Tighten the setscrew with pliers. **DO NOT HAND TIGHTEN.**



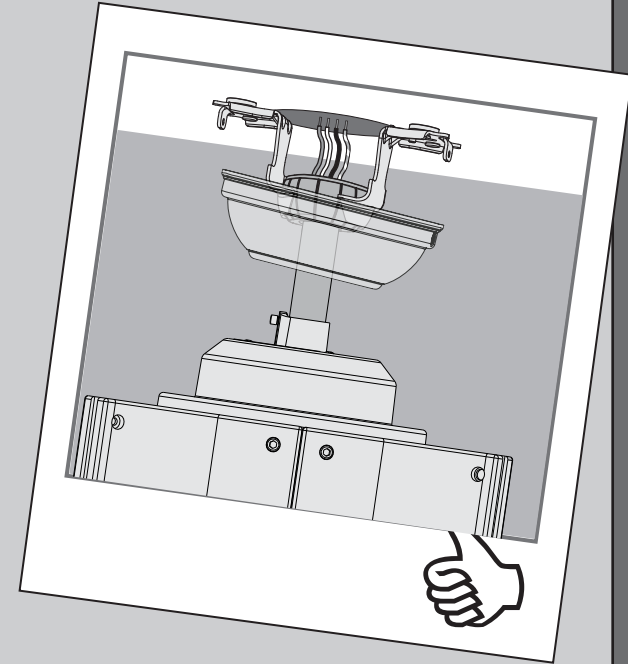
If the setscrew is not tightened securely, the fan may fall.



Put the wires and downrod through the canopy. Let the canopy sit loosely on top of the fan.



DO NOT PICK THE FAN UP BY THE CANOPY OR WIRES. Place the downrod ball into the slot in the ceiling bracket.

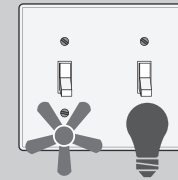


WARNING: This receiver cannot be installed in conjunction with any other receiver or hard-wired wall control. Doing so will void your warranty.

Note: To connect the wires, hold the bare metal leads together and place a wire connector over them, then twist clockwise until tight.

Not for use in applications where the fan does not have a wall switch.

OPTION 2: For Dual Switches

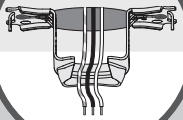


Using the orange wire connectors from the ★ hardware bag, connect the white wire (grounded) from the ceiling to the white wire from the fan.

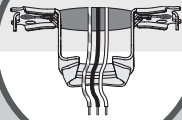
Connect the black wire (ungrounded) from the ceiling to the black wire from the fan. Connect the second (ungrounded) wire from the ceiling to the blue wire from the fan.

Turn the splices upward and push them carefully back through the hanger bracket into the outlet box. Spread the wires apart, with the grounded wires on one side of the outlet box and the ungrounded wires on the other side of the outlet box.

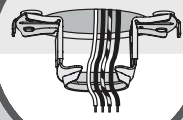
FROM CEILING



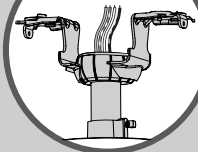
FROM CEILING



FROM CEILING



FROM FAN



Using an orange wire connector from the ★ hardware bag, connect the 3 grounding wires (green, green/yellow stripe, or bare copper) coming from the ceiling, downrod, and hanging bracket.

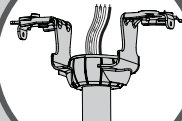
OPTION 1: For a Single Switch

For a Single Switch



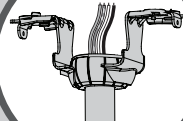
Using the orange wire connectors from the ★ hardware bag, connect the black wire (ungrounded) from the ceiling to the black from the fan. Connect the white wire (grounded) from the ceiling to the white wire from the fan. Cap the blue wire from the fan with an orange wire connector. It will not be used for single switch wiring.

FROM FAN

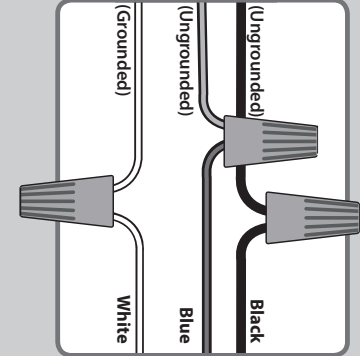
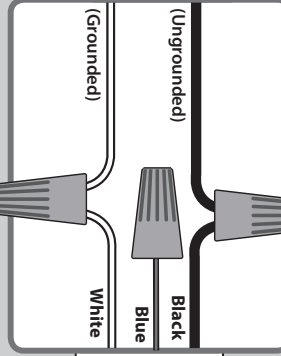
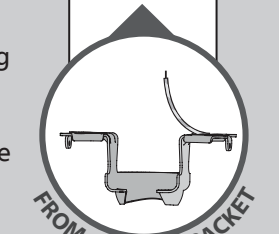
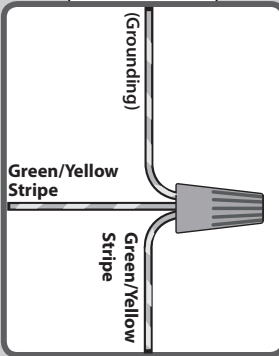


FROM FAN

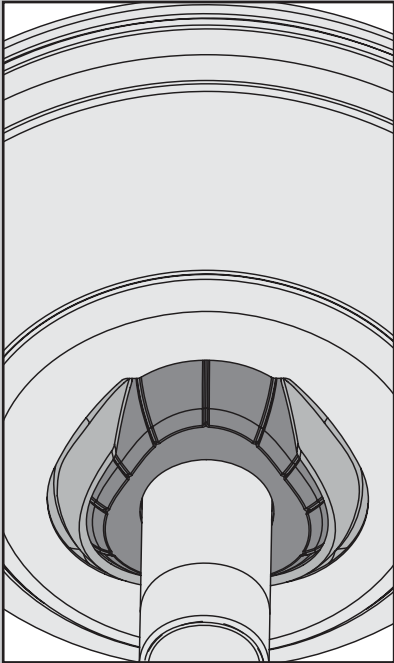
FROM FAN



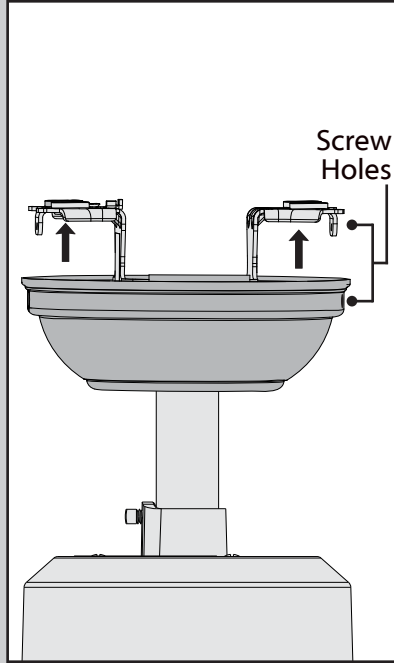
FROM FAN



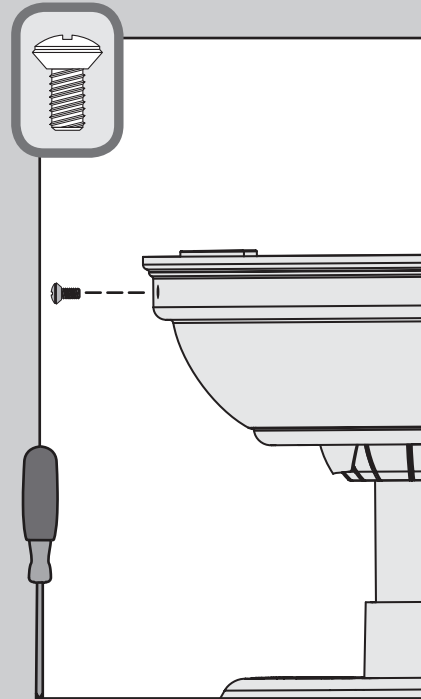
Refer to CAUTION c.1 on pg. 2



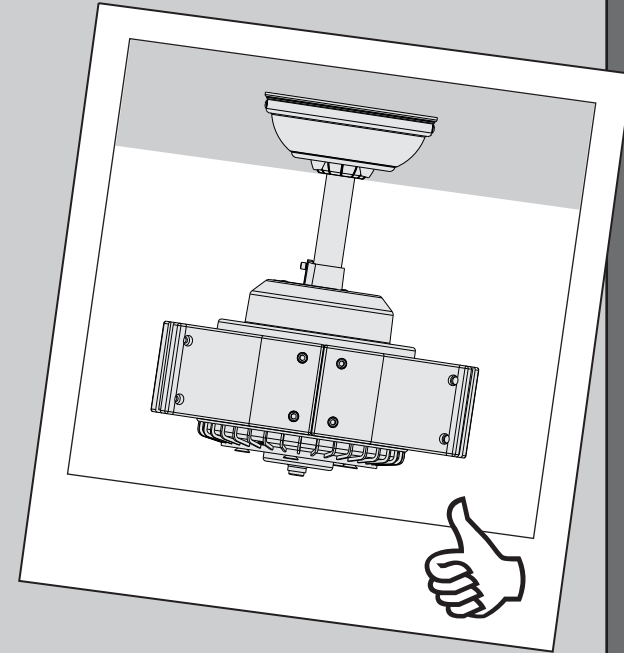
Position the canopy so that, when lifted into place, the canopy fits into the hanging bracket as shown.

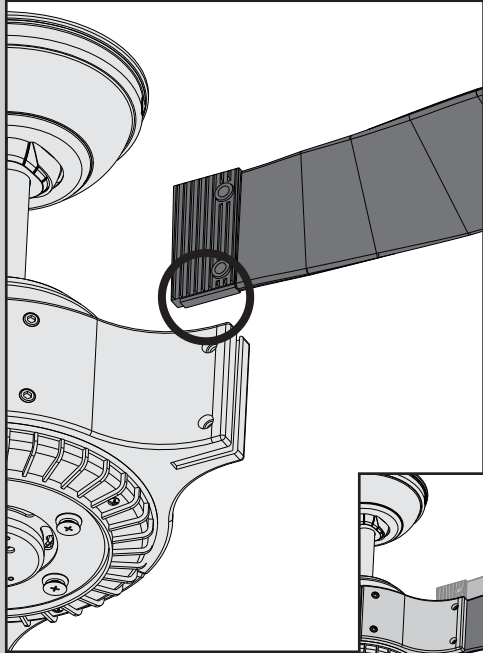


Lift the canopy into place so that the screw holes are aligned.

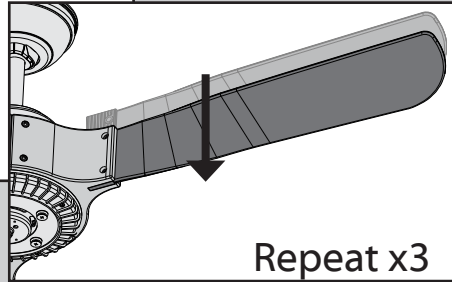


✘ Insert the two canopy screws found in the ● hardware bag.

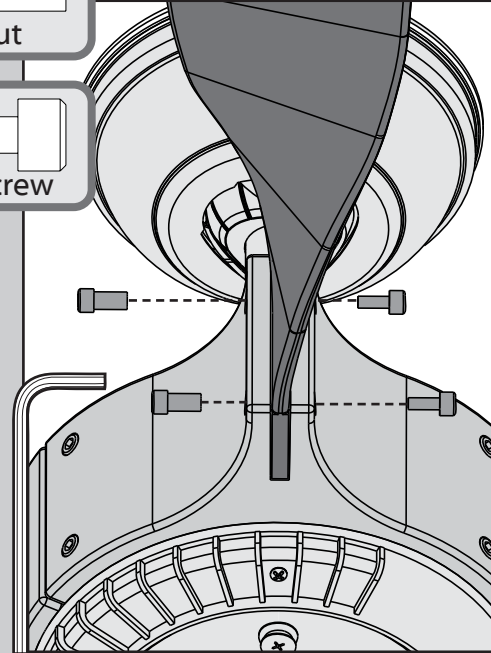
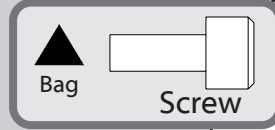
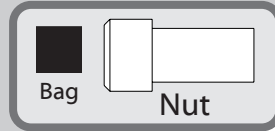




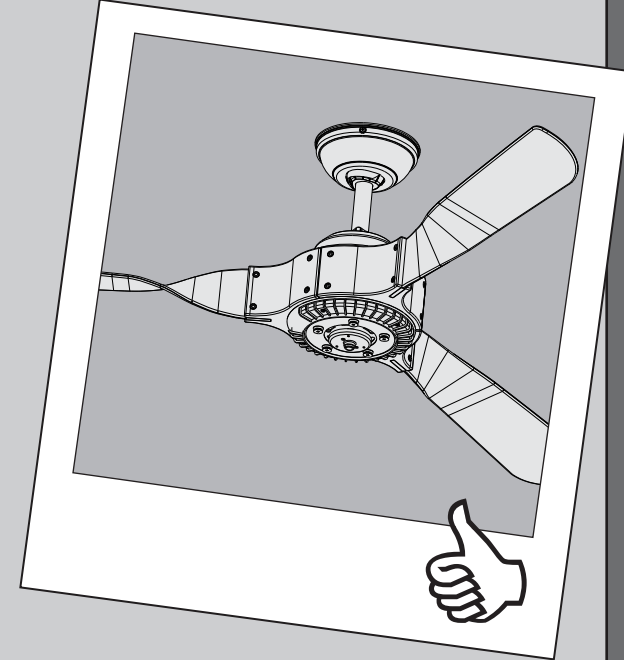
Slide each blade into the blade slot with the narrow side downward. Make sure to align the screw holes in the blade with the screw holes in the blade slot.

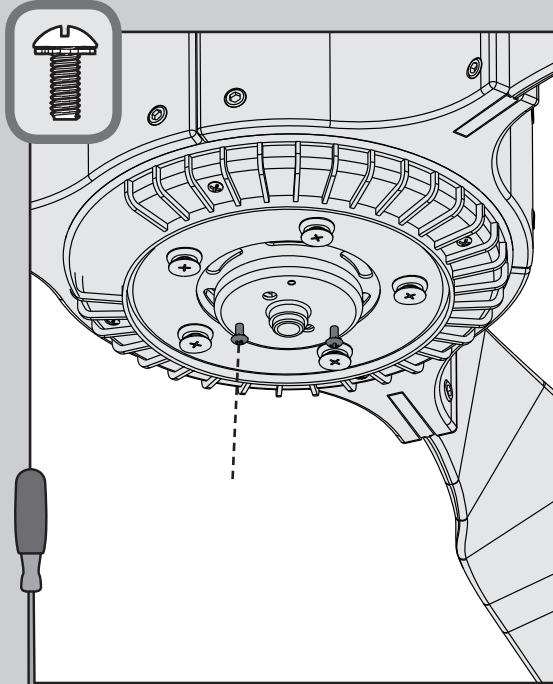


Repeat x3

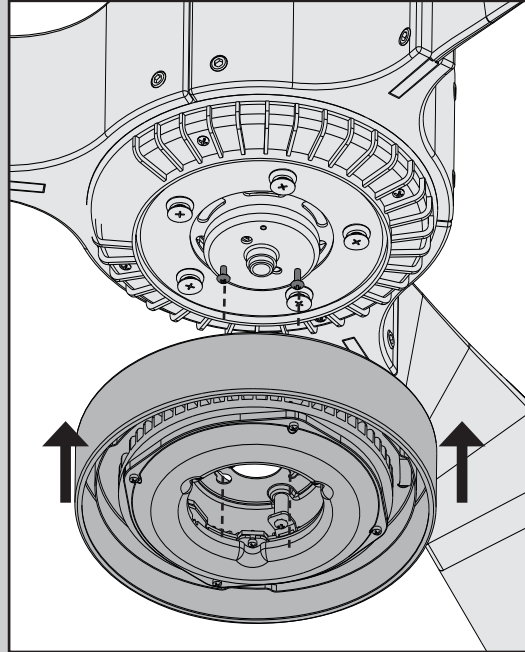


Using the provide two allen wrenches, install the blade screws, found in the ▲ hardware bag, and blade nuts found in the ■ hardware bag. First, slide the blade screw into the right side of the blade slot. Second, tighten the blade nut against the screw until secure. **Hand tighten only.**

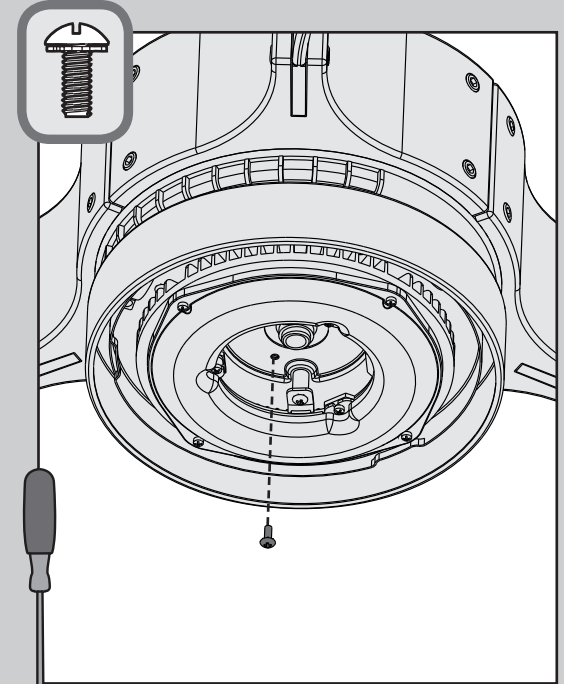




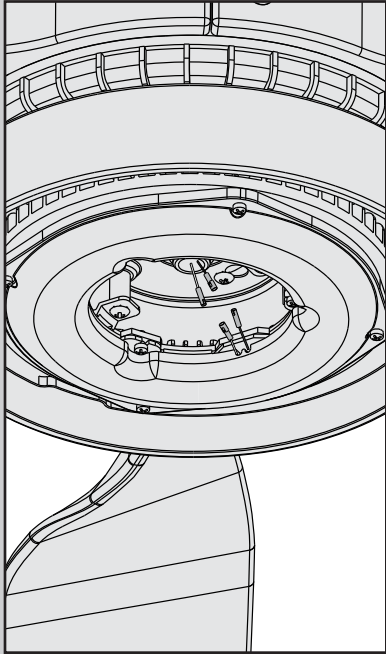
⊗ Screw two housing assembly screws from the ≡ hardware bag halfway into the motor housing. It does not matter which two screw holes you choose.



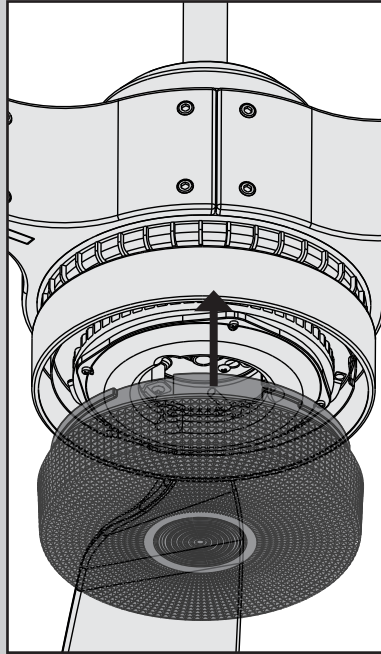
Wrap keyhole slots around the screws and twist counterclockwise.



⊗ Insert the third screw, found in the ≡ hardware bag, into place and then tighten all three screws.



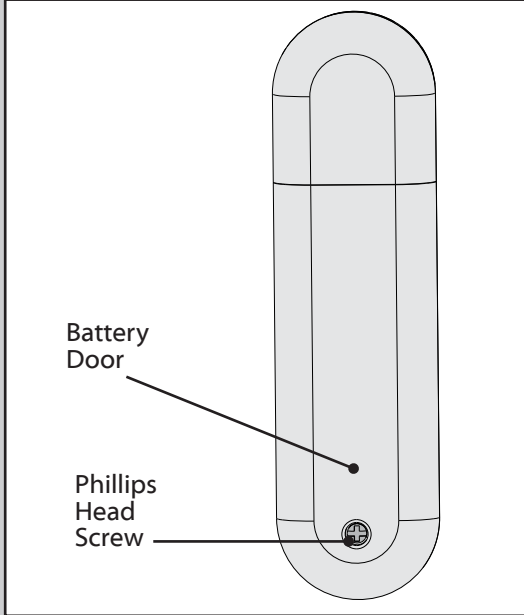
Connect the white wire from the fan to the white wire from the light kit. Then, connect the blue wire from the fan to the black wire from the light kit.



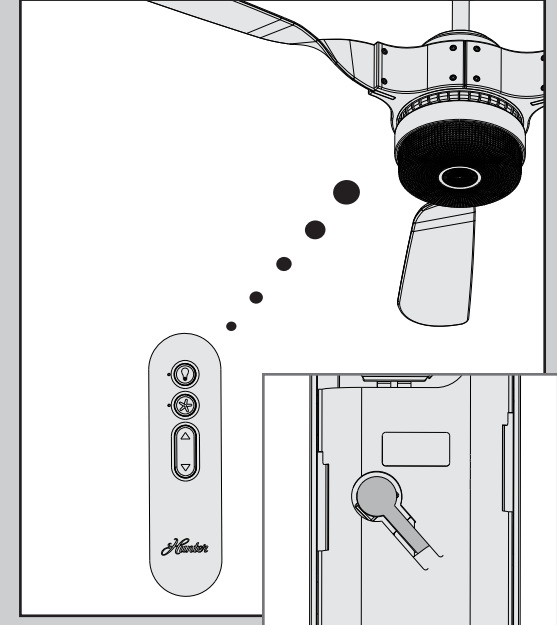
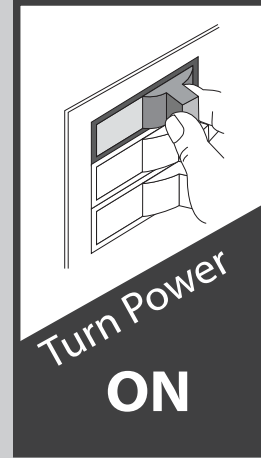
Lift the globe and align the notches in the globe with the tabs in the light kit. Attach the globe by lifting and twisting clockwise until it rests firmly in place.



See next page for remote operation instructions. →



To access the battery compartment, remove the small Phillips head screw that secures the battery door to the transmitter assembly. The battery should be installed with the positive (+) side up. Replace with a CR2032 battery when necessary.



The remote transmitter is already paired to the receiver and ready to use.

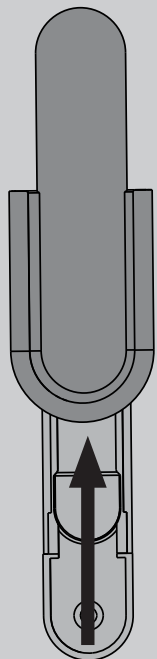
Note: If your need to pair your remote, remove the battery door. Cycle power to the fan by turning power off and back on at the wall switch (or circuit breaker if necessary). Within three minutes, press the pair button on the remote. If pairing was successful, a single beep will sound. If three beeps sound, the remote was unpaired. Re-pair using the steps above.

To prevent faulty operation, please disconnect power from all other ceiling fans within range while pairing.

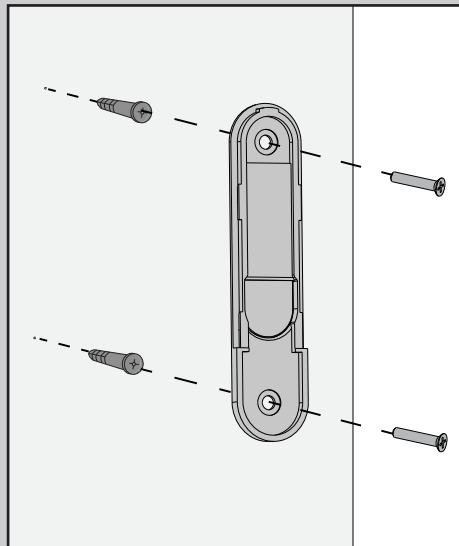


You have two options to install the included remote control cradle to the wall. Choose which path works best for you.

Option 1: Using Screws



Remove the cradle from the cradle bracket.

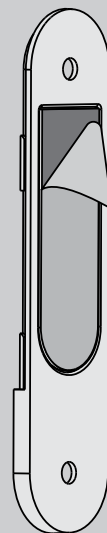


Choose your cradle installation location.

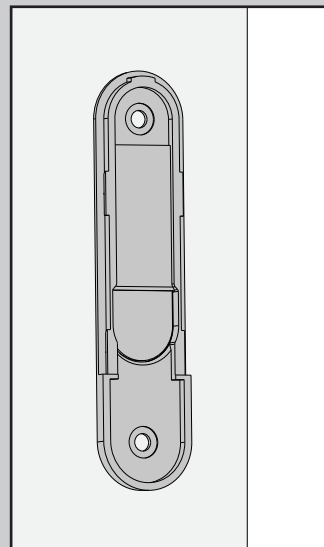
If you are installing into drywall, drill two 9/64 width holes using the cradle bracket as a guide. Gently hammer the included drywall anchors into the pre-drilled holes.

Install the cradle bracket to the wall with the included screws.

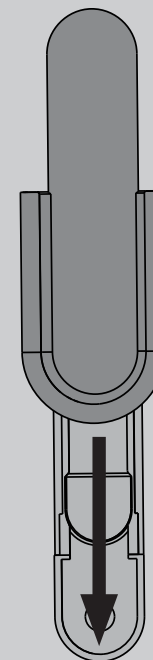
Option 2: Using Adhesive Strip



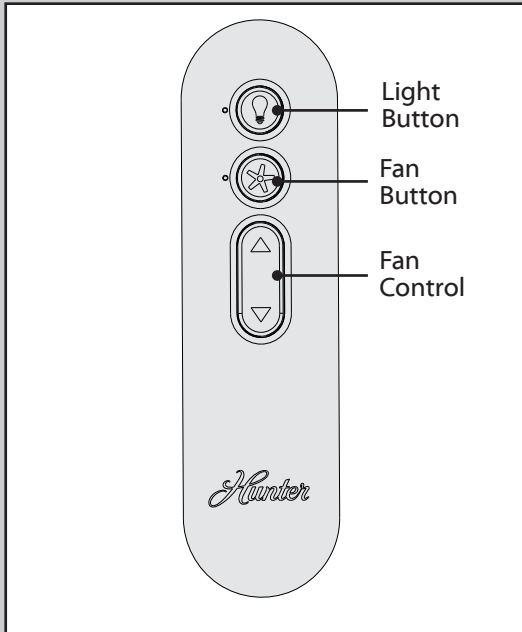
Apply the adhesive sticker to the back of cradle bracket per the instructions on the adhesive sticker.



Press the cradle bracket against the wall and hold firmly for 30 seconds.



Slide the cradle onto the mounted bracket.



Fan Operation:

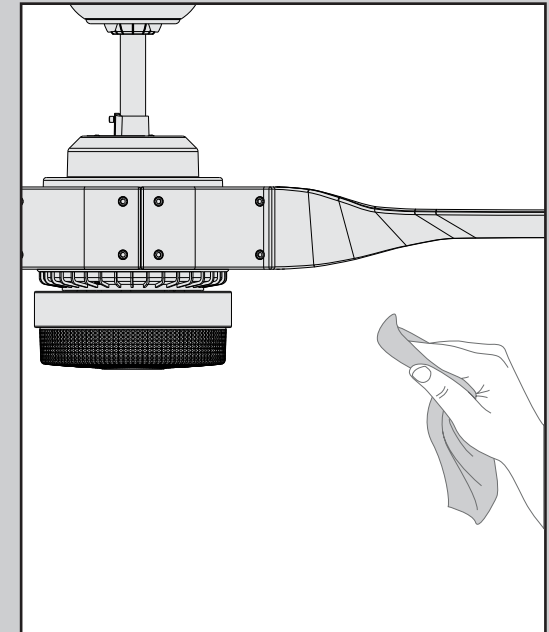
Press and quickly release the fan button on the remote control to turn the fan OFF or ON. Use the fan control directional pad to raise or lower the fan to the desired speed. Press and hold the fan button to reverse the fan direction.

Light Operation:

Press and quickly release the light button on the remote control to turn the light OFF or ON. Press and hold the light button for continuous dim.



Slide the remote into the cradle when not in use.



Cleaning the fan - use soft brushes or cloths to prevent scratching. Cleaning products may damage the finishes.

1

Download the app:

Visit your app store and search **Simpleconnect™ Wi-Fi** to find the app.



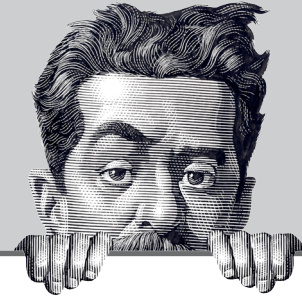
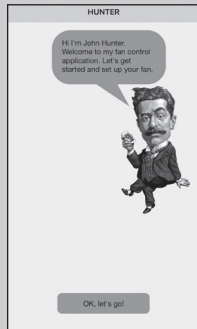
2

Launch the app.



3

Follow the onscreen prompts to set up your fan.



Note: The HomeKit setup code is located on the front cover of the English side of the Parts Guide.



SIMPLEconnect connects to available 2.4 GHZ WiFi networks.



Fan doesn't work

- Make sure power switch is on.
- Check the circuit breaker to ensure the power is turned on.
- Make sure the blades spin freely.
- Turn off power from the circuit breaker, then loosen the canopy and check all the connections according to the wiring diagram on pages 9.
- Check the plug connection in the switch housing.

Excessive wobbling

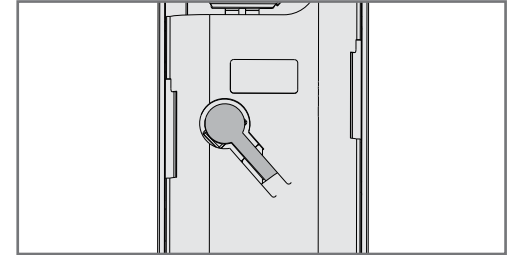
- Make sure the blades are properly installed on the blade iron posts.
- Turn the power off, support the fan carefully, and check that the hanger ball is properly seated.
- Use the provided balancing kit and instructions to balance the fan.

Noisy Operation

- Make sure the blades are properly installed on the blade iron posts.
- Check to see if any of the blades are cracked. If so, replace all of the blades.

Wireless Issues

- Reset the Wi-Fi module by removing the battery door. Press and hold the reset button for 5 seconds. The fan and light LEDs will flash once the module has been reset.



Remote control of fan is erratic

- Make sure the battery is installed correctly.
- Install a fresh battery.

Transmitter only works when held at close range

- Change battery.

If you have multiple remotes or multiple remote-controlled fans installed on the same circuit breaker

and you are experiencing interference or faulty operation of your remote controls, please go to www.HunterFan.com/FAQs and click "How do I properly install multiple remote-controlled fans?" for information on how to correct this issue.

Use of the HomeKit logo means that an electronic accessory has been designed to connect specifically to iPod, iPhone, or iPad, respectively, and has been certified by the developer to meet Apple performance standards. Apple is not responsible for the operation of this device or its compliance with safety and regulatory standards. Please note that the use of this accessory with iPod, iPhone, or iPad may affect wireless performance.

HomeKit requires an iPhone, iPad, or iPod touch with iOS 8.1 or later. Controlling HomeKit-enabled accessories away from home requires an Apple TV (3rd generation or later) with Apple TV software 7.0 or later and an iPhone, iPad, or iPod touch with iOS 8.1 or later. Android 4.3 or higher. Android and Google Play are trademarks of Google Inc. Apple, Apple TV, iPhone, iPad, iPod touch, and Siri are trademarks of Apple Inc., registered in the U.S. and other countries. HomeKit is a trademark of Apple Inc.