



# Avia

## Installation Manual

Model: 59416 Brushed Nickel  
50683 Fresh White  
Fan weight  $\pm 2$  lbs: 19.4 lbs (8.8 kg)

*Hunter*  
©2020 Hunter Fan Co.  
PG3625 r012720

The ceiling fan you purchased will provide comfort and performance in your home or office for many years. This instruction manual contains complete instructions for installing and operating your fan. We are proud of our work and appreciate the opportunity to supply you with the best ceiling fan available anywhere in the world.

## We are here to help!

This Instruction Manual is designed to make installation as simple as possible. While working through this Instruction Manual, keep your smartphone or tablet nearby. We have added video links to help you through the more technical sections. If you are unfamiliar or uncomfortable with wiring, contact a qualified electrician. We also provide telephone support at 1.888.830.1326 or visit us at [HunterFan.com](http://HunterFan.com).



**READ and SAVE These Instructions**

**WARNING**



### Warning

- w.1 - To reduce the risk of fire, electrical shock, or personal injury, mount fan directly from building structure and/or an outlet box marked acceptable for fan support of 70 lbs (31.8 kg) and use the mounting screws provided with the outlet box.
- w.2 - To avoid possible electrical shock, before installing or servicing your fan, disconnect the power by turning off the circuit breakers to the outlet box and associated wall switch location. If you cannot lock the circuit breakers in the off position, securely fasten a prominent warning device, such as a tag, to the service panel.
- w.3 - To reduce the risk of electric shock, this fan must be installed with an isolating wall control/switch.
- w.4 - To reduce the risk of personal injury, do not bend the blade brackets when installing the blade brackets, balancing the blades, or cleaning the fan. Do not insert foreign objects in between rotating fan blades.

### Caution

- c.1 - All wiring must be in accordance with national and local electrical codes ANSI/NFPA 70. If you are unfamiliar with wiring, use a qualified electrician.
- c.2 - Use only Hunter replacement parts.

This equipment has been tested and found to comply with the limits for a Class B digital device, pursuant to part 15 of the FCC Rules. These limits are designed to provide reasonable protection against harmful interference in a residential installation. This equipment generates, uses and can radiate radio frequency energy and if not installed and used in accordance with the instructions may cause harmful interference to radio communications.

However, there is no guarantee that interference will not occur in a particular installation. If this equipment does cause harmful interference to radio or television reception, which can be determined by turning the equipment off and on, the user is encouraged to try to correct the interference by one or more of the following measures:

- Reorient or relocate the receiving antenna.
- Increase the separation between the equipment and receiver.
- Connect the equipment into an outlet on a circuit different from that to which the receiver is connected.
- Consult the dealer or an experienced radio/TV technician for help.

Caution: modifications not approved by the party responsible for compliance could void user's authority to operate the equipment.

This device complies with Part 15 of the FCC Rules. Operation is subject to the following two conditions: (1) This device may not cause harmful interference, and (2) this device must accept any interference received, including interference that may cause undesired operation.

This product conforms to UL Standard 507.  
Certified to CSA Standard C22.2 No. 113



## Here are the tools you'll need to complete your installation:



Ladder



Screwdriver



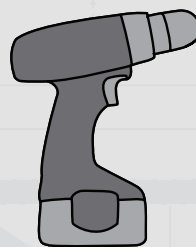
Pliers



Wire Strippers

### OPTIONAL

If mounting to a support structure, you will also need these tools.



Drill



9/64" Drill Bit


© 2020 Hunter Fan Company  
7130 Goodlett Farms Pkwy, Suite 400  
Memphis TN 38016

# Here is what comes in your box:

We recommend that you pull everything out of the box and lay it out. We have grouped the drawn components below with the hardware you'll need for those parts. The screws below are drawn to scale to make it easier to identify what piece of hardware is needed to install each component.

### Hunter Pro Tip:

Do not discard the hardware bags or mix parts from different bags. Make note of the symbol printed on each hardware bag. The symbols can be used to identify the appropriate hardware for each step.

**BAG**  **Washer** x2

**Wood Screw** x2


**Wire Nut** x4

**For installing the hanger bracket and wiring the fan**

**Ceiling Bracket**

**Trim Ring**


**Canopy**


**BAG**  **Top Housing Screw** x3

**Grounding Screw** x1

**Canopy Screws** x3

**For installing the canopy**

**BAG**  **BladeWasher** x15

**BAG**  **Blade Screw** x15

**Blade** x5

**For installing the blades**

Top Housing

**Motor**

**Upper Switch Housing**

**Light Kit Assembly**

**Bulb** x2

**Glass**

**For installing the light fixture**

**Remote Control**

**Remote Cradle**

**Remote Receiver**

**Remote Components**

**BAG**  **Spare Parts**

For your convenience, you may receive extra fasteners.

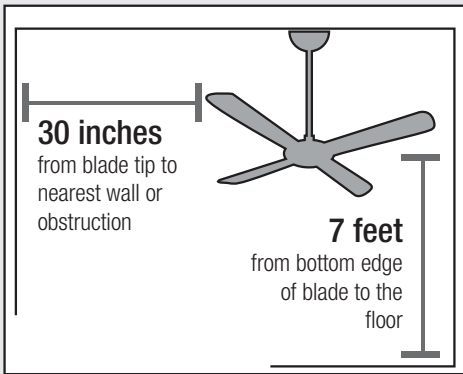
**BAG**  **Light Kit Screw** x6

**Find a part that is missing or damaged?**  
 Don't take it back to the store. Let us make it right. Visit us at [HunterFan.com](http://HunterFan.com) or call us at 1.888.830.1326.

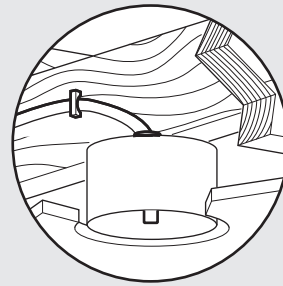
## Choosing the Right Installation Location

You probably bought this fan with a location in mind. Let's check below to make sure it is a good fit.

### Check the room dimensions:



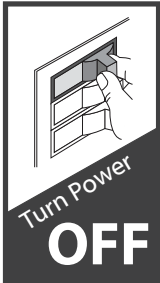
### Check the outlet box:



You must be able to secure the fan to building structure or fan-rated outlet box.

## Installing the Ceiling Bracket

You have **two options** for installation. Pick which one works best for your location. Remove any existing bracket prior to installation. Only use the provided Hunter ceiling bracket that came in your fan's box.



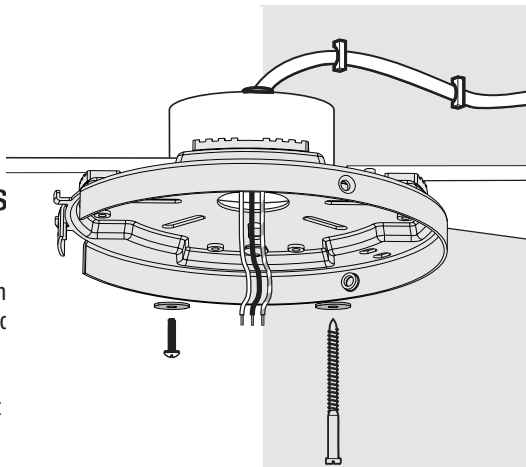
Do this first!

### Option 1: Machine Screws

Use machine screws (provided with outlet box) and washers when securing to existing ceiling fan-rated outlet box. Make sure it is securely installed and is acceptable for fan support 31.8 kg (70 lbs) or less.

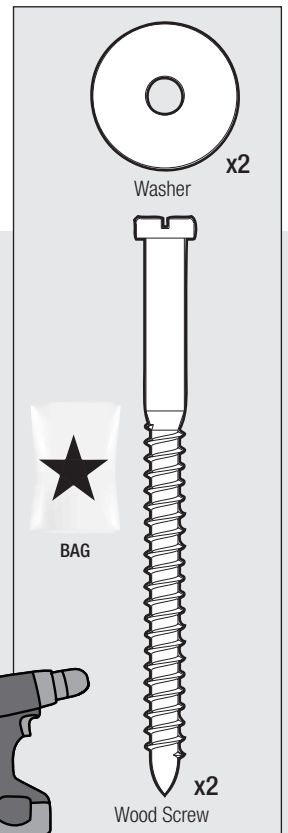
#### Hunter Pro Tip:

The machine screws are the ones that came with your outlet box.

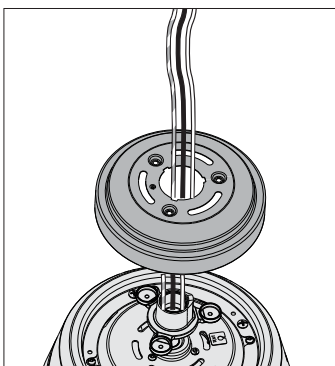


### Option 2: Wood Screws

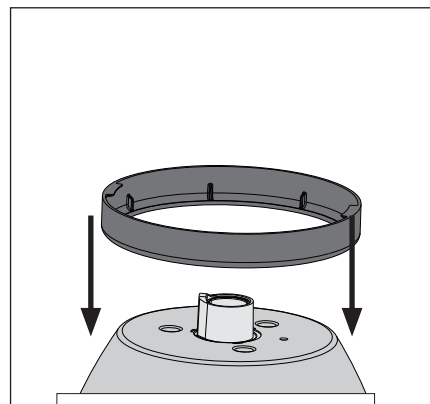
Use wood screws and washers (included) when securing to support structure with approved electrical outlet box. Drill 9/64" pilot holes in support structure to aid in securing ceiling bracket with hardware found in the ★ hardware bag.



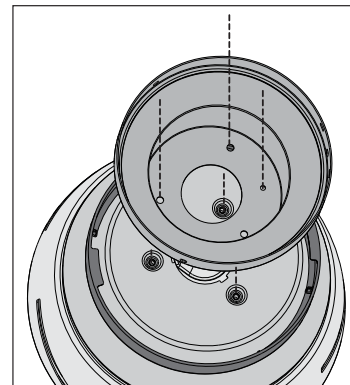
## Installing the Top Housing



Thread the wires through the top housing. Place the top housing onto the motor housing so that the holes in the top housing line up with the holes in the motor housing and the adapter.

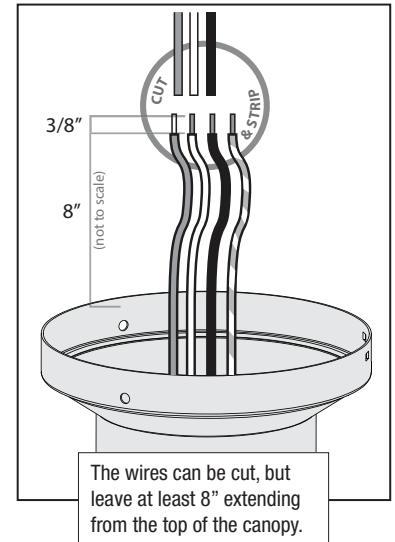
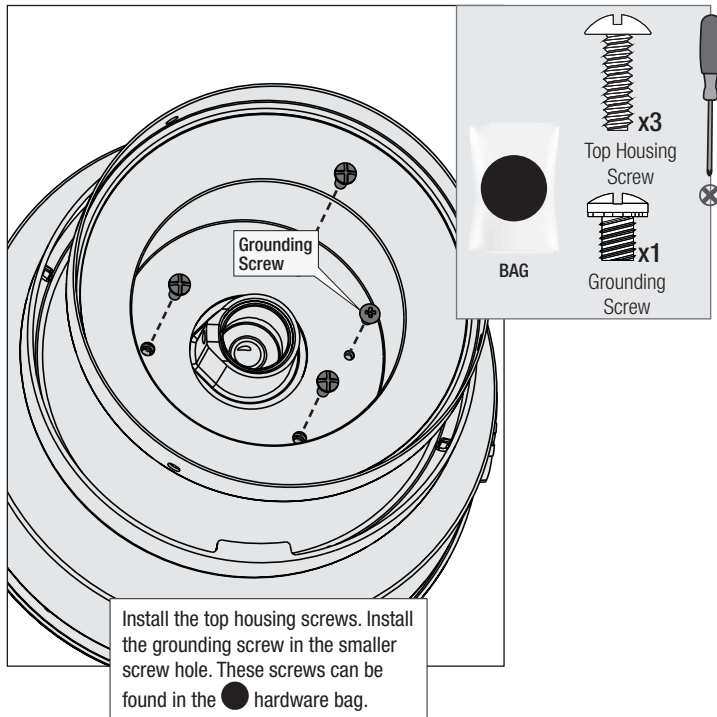


Rest the trim ring on the top housing.



Place the canopy on the top housing. Ensure all four screw holes line up with the screw holes in both the top housing and the adapter.

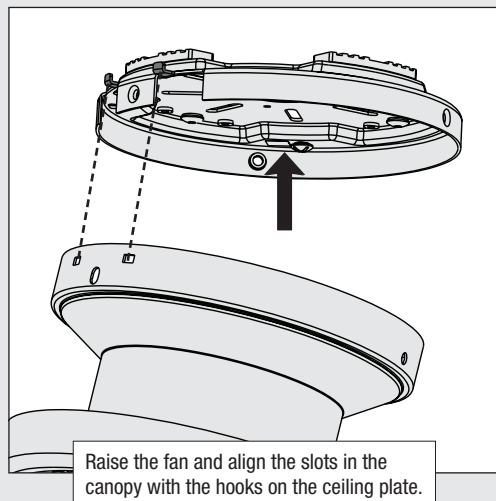
## Installing the Top Housing



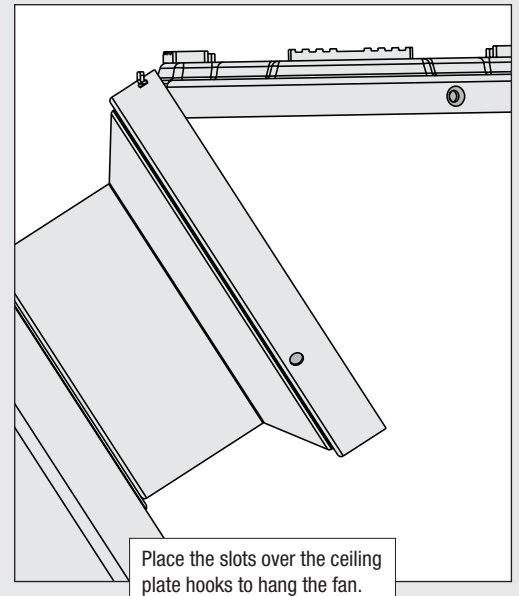
## Hanging the Fan

### NOTICE

To prevent damage to fan, ALWAYS lift holding the fan housing.



**Note:** To hang the fan, you must tilt the canopy to an almost vertical position so that the canopy slots sit on the ceiling plate hooks.





# Wiring the Fan

## We know wiring is hard. Let's make it easier.

Follow these steps to get your fan wired quickly and safely. Follow the route below that best matches your wall switch setup. If you are unfamiliar with wiring or uncomfortable doing it yourself, please contact a qualified electrician.

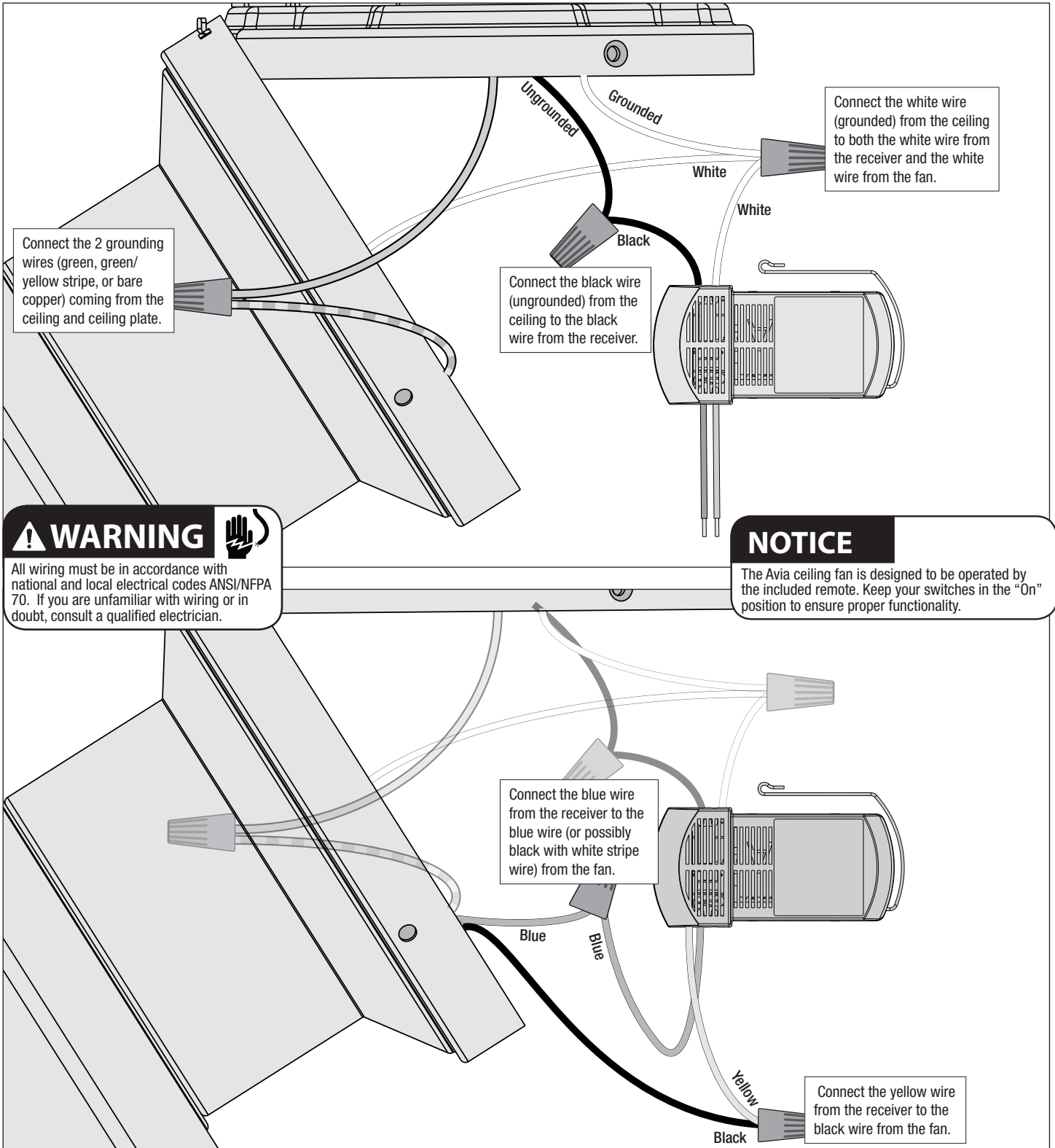
You are going to need these:

4 Wire Nuts (these are in the ★ bag)

### Hunter Pro Tip:

#### Here is how to connect the wires:

Push the bare metal ends of the wires together and slide a wire nut over them. Then, twist the wire nut clockwise until tight. Give it a gentle pull to make sure none of the wires are loose.



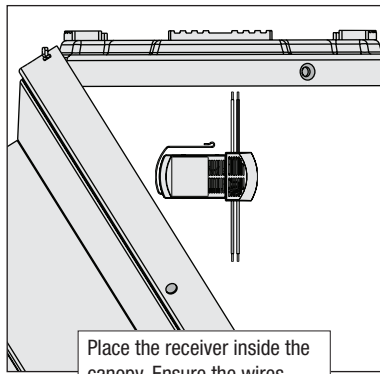
### ⚠ WARNING

All wiring must be in accordance with national and local electrical codes ANSI/NFPA 70. If you are unfamiliar with wiring or in doubt, consult a qualified electrician.

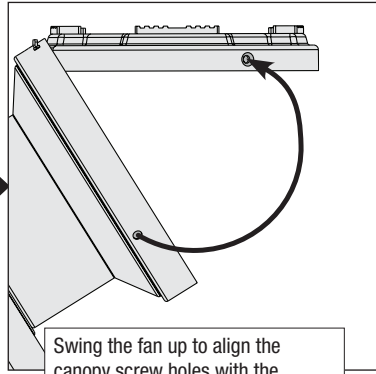
### NOTICE

The Avia ceiling fan is designed to be operated by the included remote. Keep your switches in the "On" position to ensure proper functionality.

## Installing the Canopy

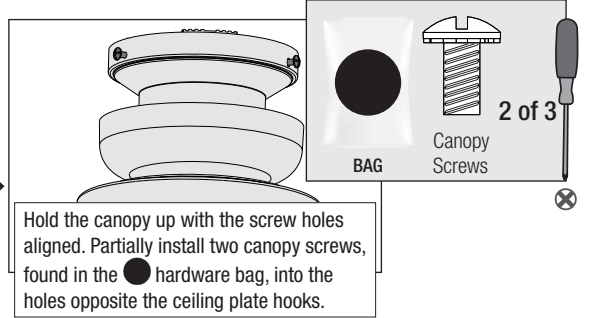


Place the receiver inside the canopy. Ensure the wires remain connected.

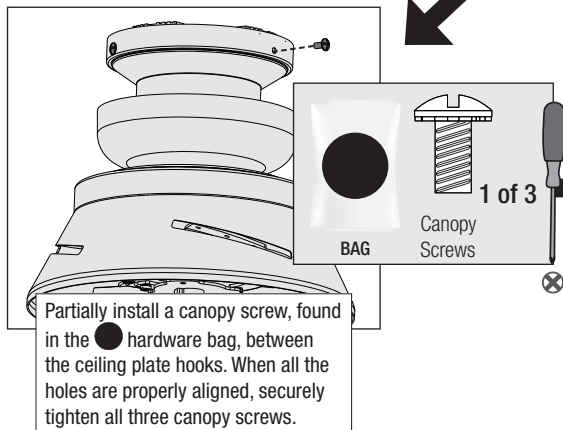


Swing the fan up to align the canopy screw holes with the mounting holes on the ceiling plate.

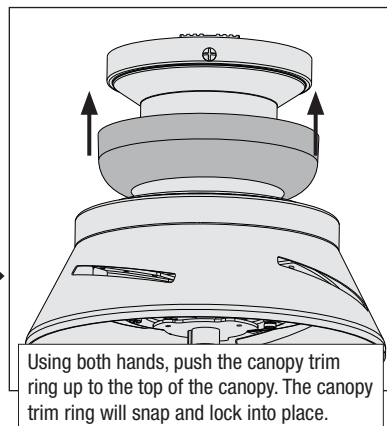
**Note:** The slots in the canopy must remain engaged while swinging the canopy for alignment.



Hold the canopy up with the screw holes aligned. Partially install two canopy screws, found in the ● hardware bag, into the holes opposite the ceiling plate hooks.



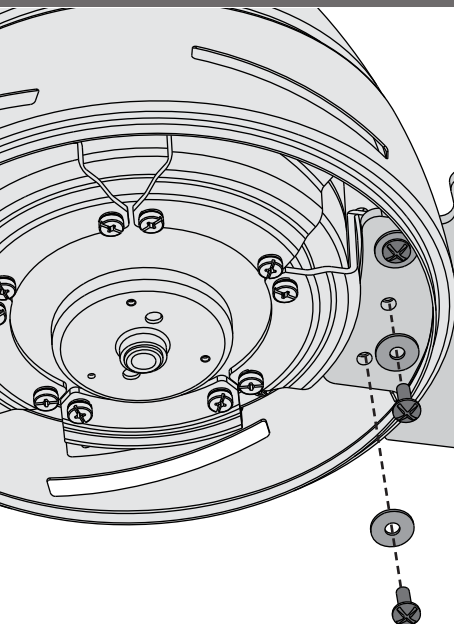
Partially install a canopy screw, found in the ● hardware bag, between the ceiling plate hooks. When all the holes are properly aligned, securely tighten all three canopy screws.



Using both hands, push the canopy trim ring up to the top of the canopy. The canopy trim ring will snap and lock into place.

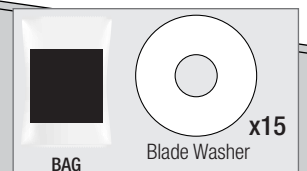
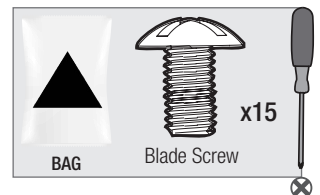
**Note:** Should you need to remove the trim ring, press firmly on opposite sides of the trim ring. The tabs will flex out releasing the canopy trim ring.

## Installing the Blades

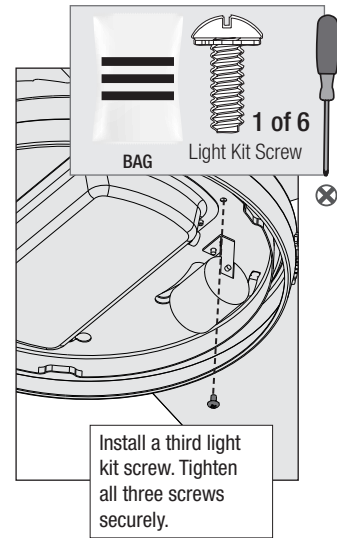
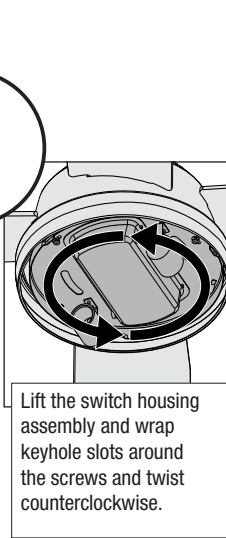
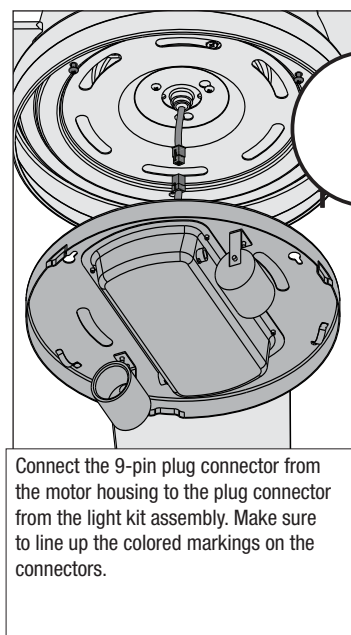
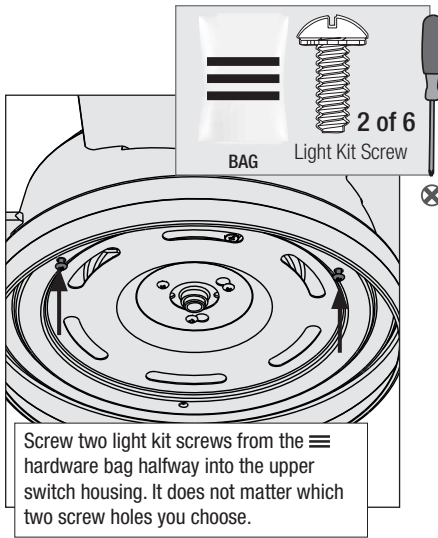
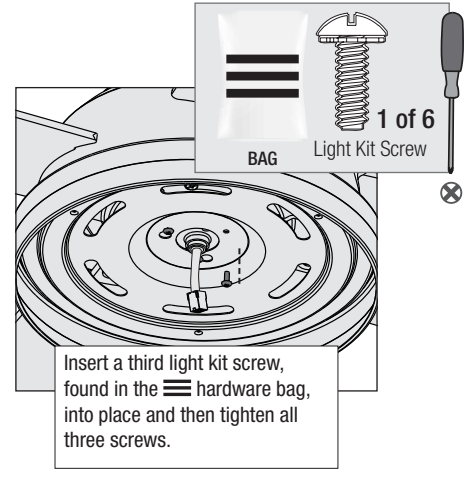
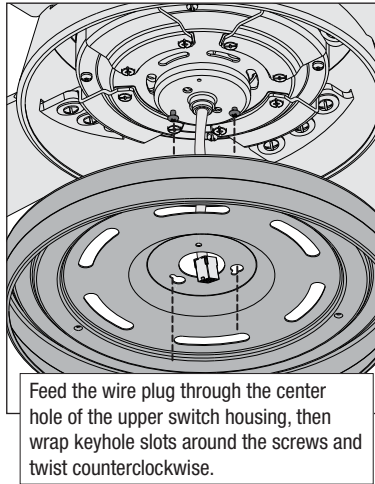
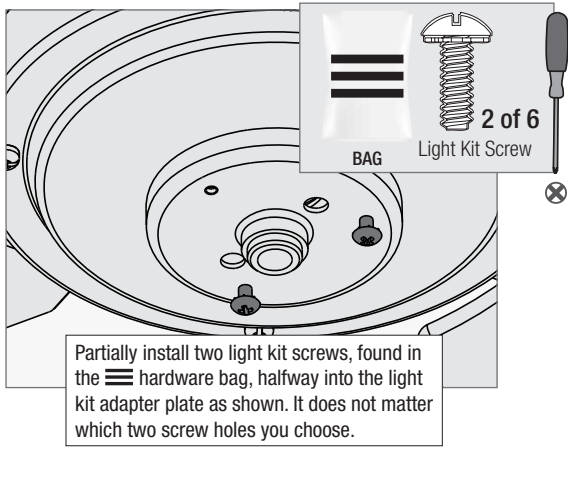


Put the blade washers found in the ■ hardware bag onto the blade screws found in the ▲ hardware bag. Then install the blade screws to secure each blade to the fan.

**Repeat x5**



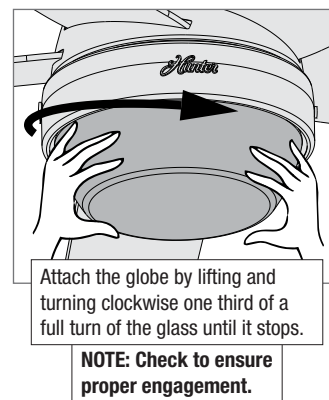
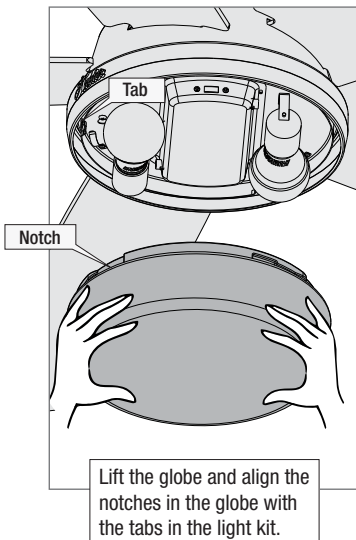
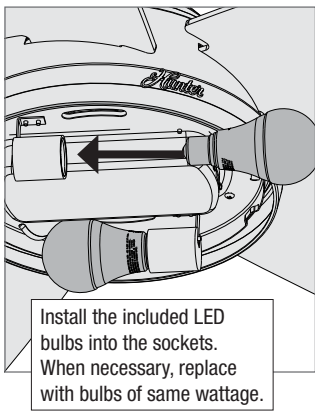
## Assembling the Light Kit



**WARNING**

**FAN FALL HAZARD**  
Make sure all screws are tight to secure the light fixture.

## Installing the Bulbs and Glass



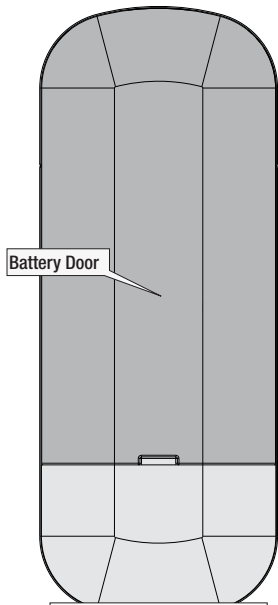
**WARNING**

**GLASS FALL HAZARD**  
To prevent SERIOUS INJURY or DEATH, make sure that glass is properly secured.

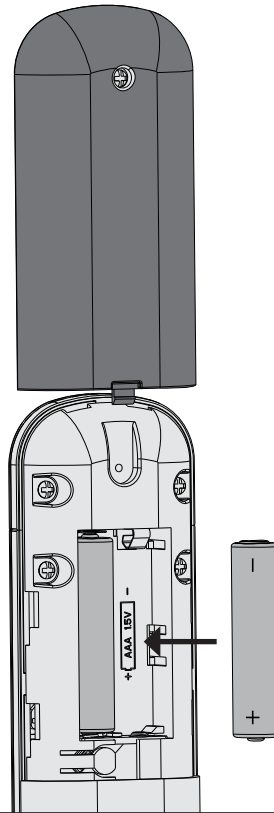


## Preparing the Remote Control

The remote control is already paired for use.



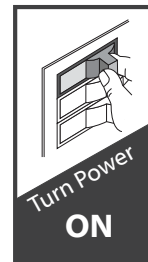
To access the battery compartment, remove the battery door to the transmitter assembly.



Install two AAA batteries, found in the remote control hardware bag, into the transmitter. Clean the battery contacts prior to installing the batteries. Please contact your local battery recycling center for proper battery disposal information.

### NOTICE

- Always purchase the correct size and grade of battery most suitable for the intended use.
- Replace all batteries of a set at the same time.
- Clean the battery contacts and also those of the device prior to battery installation.
- Ensure the batteries are installed correctly with regard to polarity (+ and -).
- Remove batteries from equipment which is not to be used for an extended period of time.
- Remove used batteries promptly.

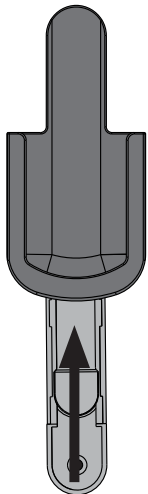


## Installing the Remote Control Cradle

You have two options for installing the remote cradle.

Choose which path works best for you.

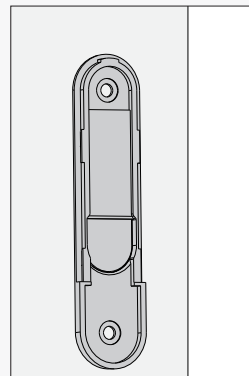
### Option 1: Using Adhesive Strip



Remove the cradle from the cradle bracket.

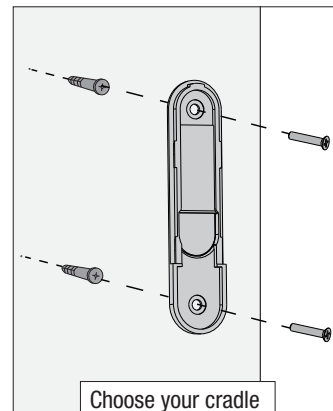


Separate the lining from the back of the adhesive strip on the cradle bracket.



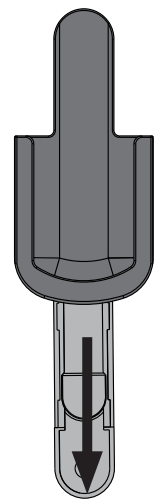
Press the cradle bracket against the wall and hold firmly for 30 seconds.

### Option 2: Using Screws



Choose your cradle installation location.

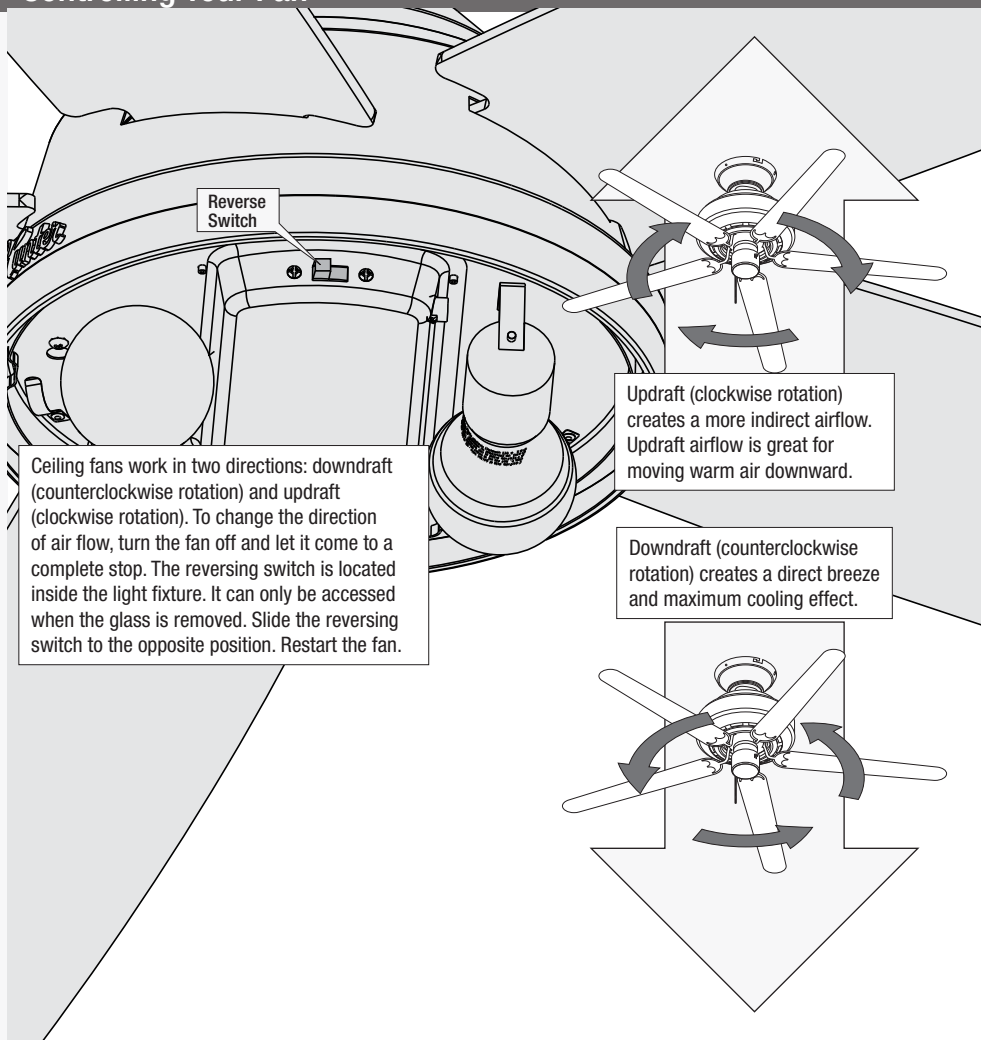
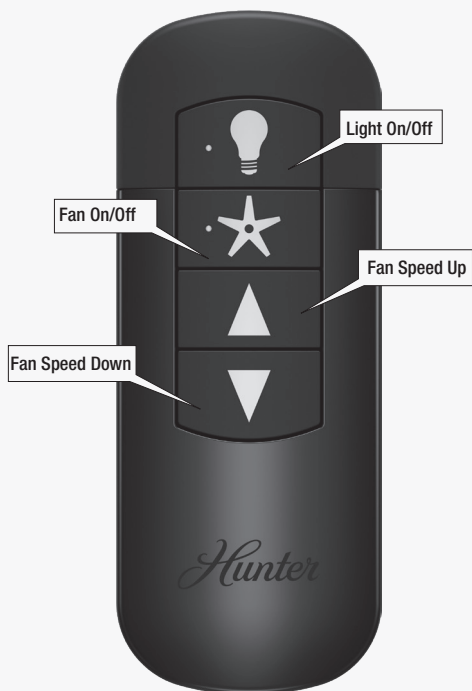
If you are installing into drywall, drill two 9/64 width holes using the cradle bracket as a guide. Gently hammer the included drywall anchors into the pre-drilled holes.



Slide the cradle onto the mounted bracket.

## Controlling Your Fan

For your convenience, a remote function card is packed in with your remote.



## Troubleshooting

### Fan Doesn't Work

- Make sure power switch is on.
- Push the motor reversing switch firmly left or right to ensure that it is engaged.
- Check the circuit breaker to ensure the power is turned on.
- Make sure the blades spin freely.
- Turn off power from the circuit breaker, then loosen the canopy and check all the connections according to the wiring diagram.
- Check the plug connection in the switch housing.

### Excessive Wobbling

- Make sure the blades are properly installed on the blade iron posts.
- Turn the power off, support the fan carefully, and check that the hanger ball is properly seated.
- Use the provided balancing kit and instructions to balance the fan.

### Noisy Operation

- Make sure the blades are properly installed.
- Check to see if any of the blades are cracked. If so, replace all of the blades.

### Remote Control of Fan is Erratic

- Make sure the battery is installed correctly.
- Install a fresh battery.

### Remote Only Works Close to Fan

- Change battery.

### Remote Pairing Issues

1. To prevent faulty operation, please ensure all other ceiling fans within range are turned off at the wall switch while pairing.
2. If your need to pair your remote, turn fan power off and back on at the wall switch. Within 3 minutes, press and hold both the Fan Off button and the High button for 4 seconds to pair the remote.

### Multiple Remote Issues

- If you have multiple remotes or multiple remote-controlled fans installed on the same circuit breaker and you are experiencing interference or faulty operation of your remote controls, please go to [www.HunterFan.com/FAQs](http://www.HunterFan.com/FAQs) and click "[How do I properly install multiple remote-controlled fans?](#)" for information on how to correct this issue.

### Hunter Pro Tip:

#### Cleaning the Fan

Use soft brushes or cloths to prevent scratching. Cleaning products may damage the finishes.

# Limited Lifetime Warranty

Hunter Fan Company grants this limited warranty to the original purchaser of this Hunter ceiling fan. This document can be found at [www.HunterFan.com](http://www.HunterFan.com). Thank you for choosing Hunter!

## How Can Warranty Service Be Obtained?

**Proof of purchase is required** when requesting warranty service. The original purchaser must present a sales receipt or other document that establishes proof of purchase. Hunter, at its sole discretion, may accept a gift receipt. To obtain service, contact Hunter Fan Company online or by phone.

[www.HunterFan.com/Support/Contact-Us/](http://www.HunterFan.com/Support/Contact-Us/)  
1-888-830-1326

Please do not ship your fan or any fan parts to Hunter. Delivery will be refused.

## What Does This Warranty Cover?

### Motor — Limited Lifetime Warranty

If any part of your ceiling fan motor fails during your ownership of the fan due to a defect in material or workmanship, as determined solely by Hunter, Hunter will provide you with a replacement fan free of charge.\* The foregoing limited warranty applies only to the motor itself and does not apply to electronic controls – such as remote control transmitters, remote control receivers, or capacitors – used in conjunction with the motor. Such electronic control items are included in the one-year limited warranty below.

### Other — One-Year Limited Warranty

Except as otherwise indicated throughout this warranty, if any part of your Hunter ceiling fan fails at any time within one year of the date of purchase due to a defect in material or workmanship, as determined solely by Hunter, Hunter will provide a replacement part free of charge.\*

### Light Kits — Warranty May Vary

Light kits are included in the one-year limited warranty. However, you may qualify for additional warranty coverage if your fan includes one of the following:

- **LED Light Kits — Three-Year Limited Warranty**

If your LED light kit module (not including glass components) or LED bulb fails at any time within three years of the date of purchase due to a defect in material or workmanship, as determined solely by Hunter, Hunter will provide a replacement part free of charge.\*

- **ENERGY STAR® Rated Light Kits — Three-Year Limited Warranty**

If your ENERGY STAR rated light kit (not including glass components) fails at any time within three years of the date of purchase due to a defect in material or workmanship, as determined solely by Hunter, Hunter will provide a replacement light kit free of charge.\*

*\* If no replacement product/part can be provided for your fan, we will provide a comparable or superior replacement product/part at the sole discretion of Hunter.*

## What Does This Warranty NOT Cover?

**Labor Excluded.** This warranty does not cover any costs or fees associated with the labor (including electrician's fees) required to install, remove, or replace a fan or any fan parts. There is no warranty for light bulbs (except where otherwise noted); remote control batteries; fans purchased or installed outside the United States; fans owned by someone other than the original purchaser; fans for which proof of purchase has not been established; fans purchased from an unauthorized dealer; ordinary wear and tear; minor cosmetic blemishes; refurbished fans; and fans that are damaged due to any of the following: improper installation, misuse, abuse, improper care, failure to follow Hunter instructions, accidental damage caused by the fan owner or related parties, modifications to the fan, improper or incorrectly performed maintenance or repair, improper voltage supply or power surge, use of improper parts or accessories, failure to provide maintenance to the fan, or acts of God (e.g. flood).

**ORIGINAL PURCHASER'S SOLE AND EXCLUSIVE REMEDY FOR A CLAIM OF ANY KIND WITH RESPECT TO THIS PRODUCT SHALL BE THE REMEDIES SET FORTH HEREIN. HUNTER FAN COMPANY IS NOT RESPONSIBLE FOR CONSEQUENTIAL OR INCIDENTAL DAMAGES, DUE TO PRODUCT FAILURE, WHETHER ARISING OUT OF BREACH OF WARRANTY, BREACH OF CONTRACT, OR OTHERWISE.** Some States do not allow the exclusion or limitation of incidental or consequential damages, so the above limitation or exclusion may not apply to you.

**ANY IMPLIED WARRANTIES OF MERCHANTABILITY OR FITNESS FOR A PARTICULAR PURPOSE APPLICABLE TO THIS PRODUCT ARE LIMITED IN DURATION TO THE PERIOD OF COVERAGE OF THE APPLICABLE LIMITED WARRANTIES SET FORTH ABOVE.** Some States do not allow limitations on how long an implied warranty lasts, so the above limitation may not apply to you.

## How Does State Law Affect Warranty Coverage?

This warranty gives you specific legal rights. You may also have other rights which vary from state to state.